

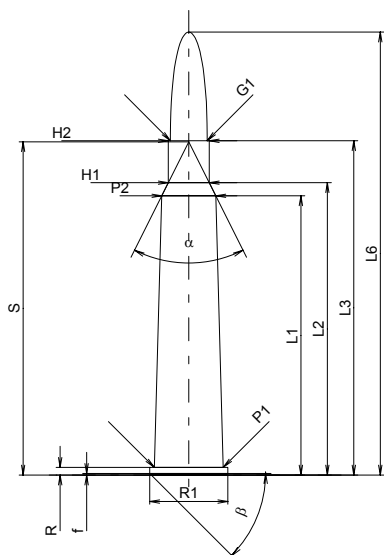
C.I.P.**280 FI. N. E.**

TAB. II

Date 84-06-14

Revision 02-05-15

Country of Origin: GB

**CARTRIDGE MAXI****Lengths**

L1*	=	55.40
L2*	=	57.99
L3 ¹⁾	=	66.32
L4	=	
L5	=	
L6	=	87.88

Case Head

R ¹⁾	=	1.52	-0.25
R1	=	15.49	
R3	=		
E	=		
E1	=		
e min	=		
delta	=		
f	=	0.30	
beta	=	45°	

Powder Chamber

P1	=	13.69
P2*	=	10.72

Junction Cone

alpha	=	53°07'48"
S	=	66.12
r1 min	=	
r2	=	

Collar

H1*	=	8.13
H2 ¹⁾	=	8.13

Projectile

G1 ¹⁾	=	7.29
G2	=	
F	=	
L3+G ¹⁾	=	71.86

Pressures (Energies)**Method Transducer**

Pmax	=	2950 bar
PK	=	3393 bar
PE	=	3690 bar
M	=	25.00
EE	=	3550 Joule

Miscellaneous Dimensions

Fe ¹⁾	=	0.15
delta L	=	

CHAMBER MINI**Lengths**

L1*	=	55.42
L2*	=	58.01
L3 ¹⁾	=	66.57

Breech

R ¹⁾	=	1.55
R1	=	15.75
R2	=	
R3	=	
r	=	

Powder Chamber

E	=	
P1 ¹⁾	=	13.72
P2*	=	10.74

Junction Cone

alpha	=	53°07'48"
S	=	66.16
r1 max	=	
r2	=	

Collar

H1*	=	8.15
H2 ¹⁾	=	8.15

Commencement of Rifling

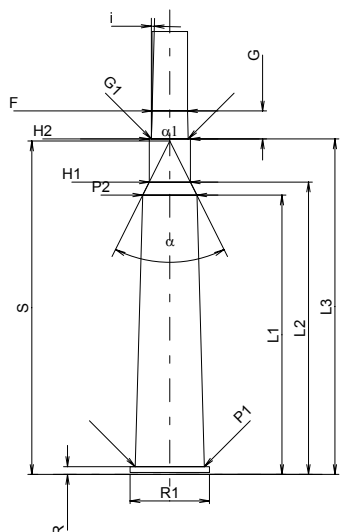
G1 ¹⁾ *	=	7.34
G ¹⁾ *	=	5.54
alpha1	=	180°
h	=	
s	=	
i ¹⁾	=	1°30'
w	=	

Barrel

F ¹⁾ *	=	7.05
Z ¹⁾	=	7.30

Grooves

b	=	
N	=	
u	=	255.00
Q	=	39.04 mm ²



Scale 1:1.5

Dimensions in << mm >>
Dimensions and Tolerances for Proof Barrels
see Appendix CR 1.

Notes: 1) Check for safety reasons
* Basic dimensions